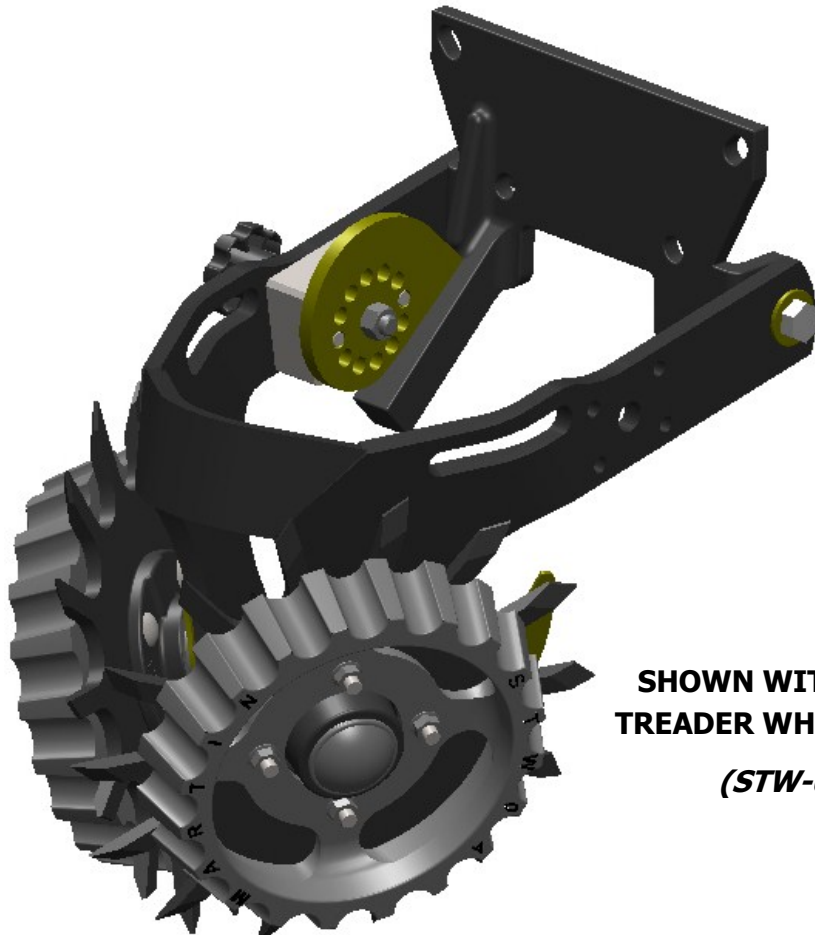


# ***BKW1360***

---

**1360 ROW CLEANER with KS/WS MOUNT (for Kinze and White without no-till coulter)**

## **Installation Instructions**



**SHOWN WITH OPTIONAL SIDE  
TREADER WHEELS & CAM ADJUST  
(STW-04 & CA03-D)**



## **Martin Planter Attachments**

**Martin Industries LLC**

206 Elk Fork Road

Elkton, KY 42220

Telephone: 270-265-5817

E-Mail: [martin@martintill.com](mailto:martin@martintill.com)

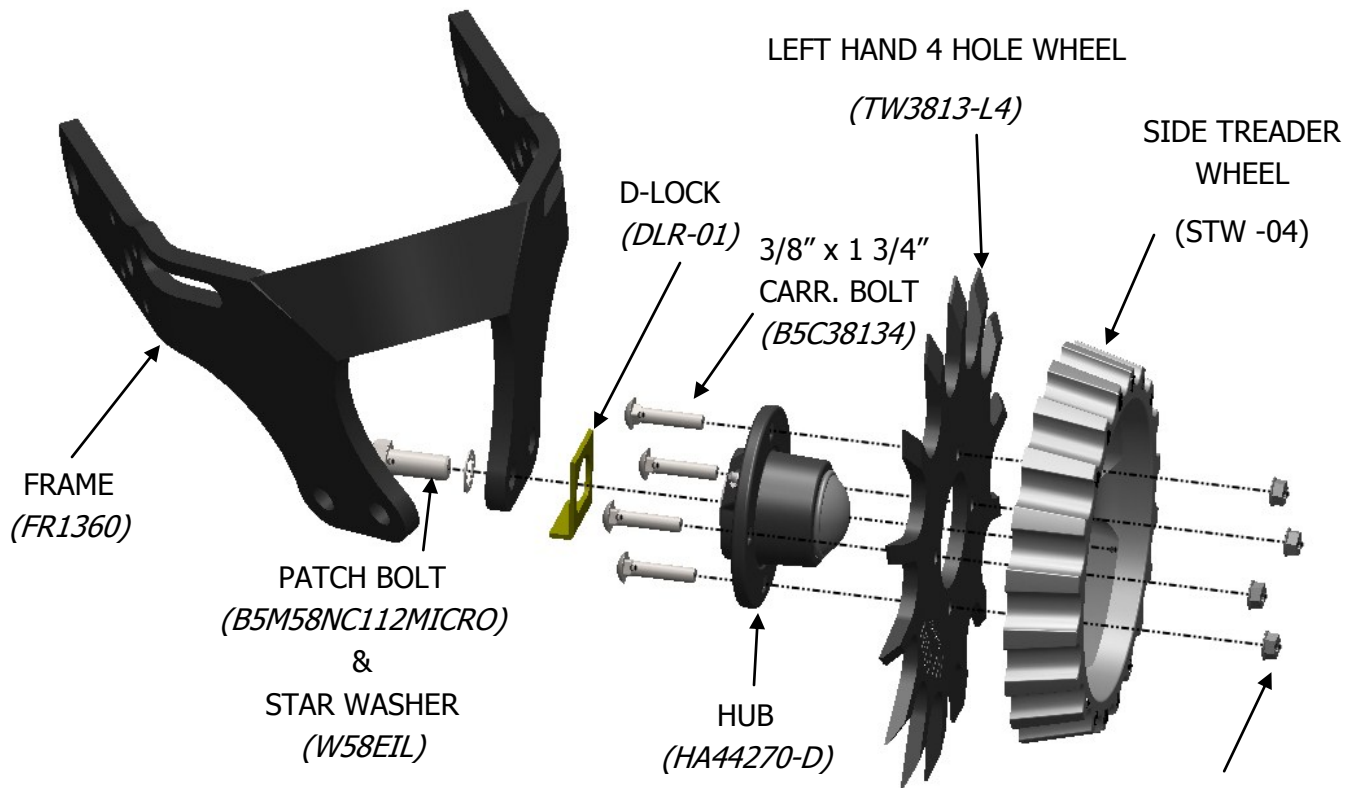
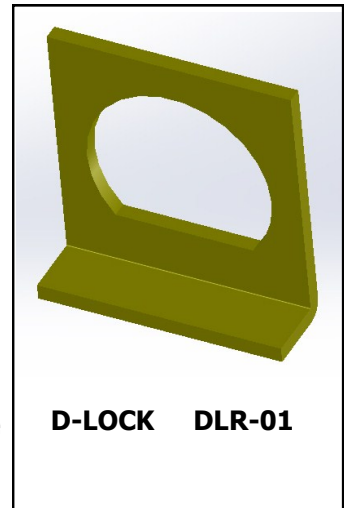
[www.martintill.com](http://www.martintill.com)



**INSTALLING THE WHEEL ASSEMBLY WITH D-LOCK TO THE 1360 FRAME**

*Either the D-Lock (illustrated right) or the D-Lock deflector (illustrated on following page) must be installed to allow the 5/8" patch bolt to tighten without the hub rotating. The D-Lock is recommended when working in corn stalks, conventional tillage, minimum tillage or strip till.*

- 1) Attach the D-lock to the end of the hub axle making sure it is flush with the end of the axle before bolting the axle to the frame.
- 2) Secure the hub to the frame with the 5/8" bolt and star washer and torque to 200 ft. lbs. Re-tighten after first day's use.
- 3) Install the toothed wheel (part number to the outside) and side treader wheel on the hub with the four carriage bolts and flange head nuts. Torque to 60 ft. lbs and re-tighten after first day's use.
- 4) The wheel marked TW3813-L4 is for use on the left side of the frame (as viewed from behind the machine). Repeat for opposite side.



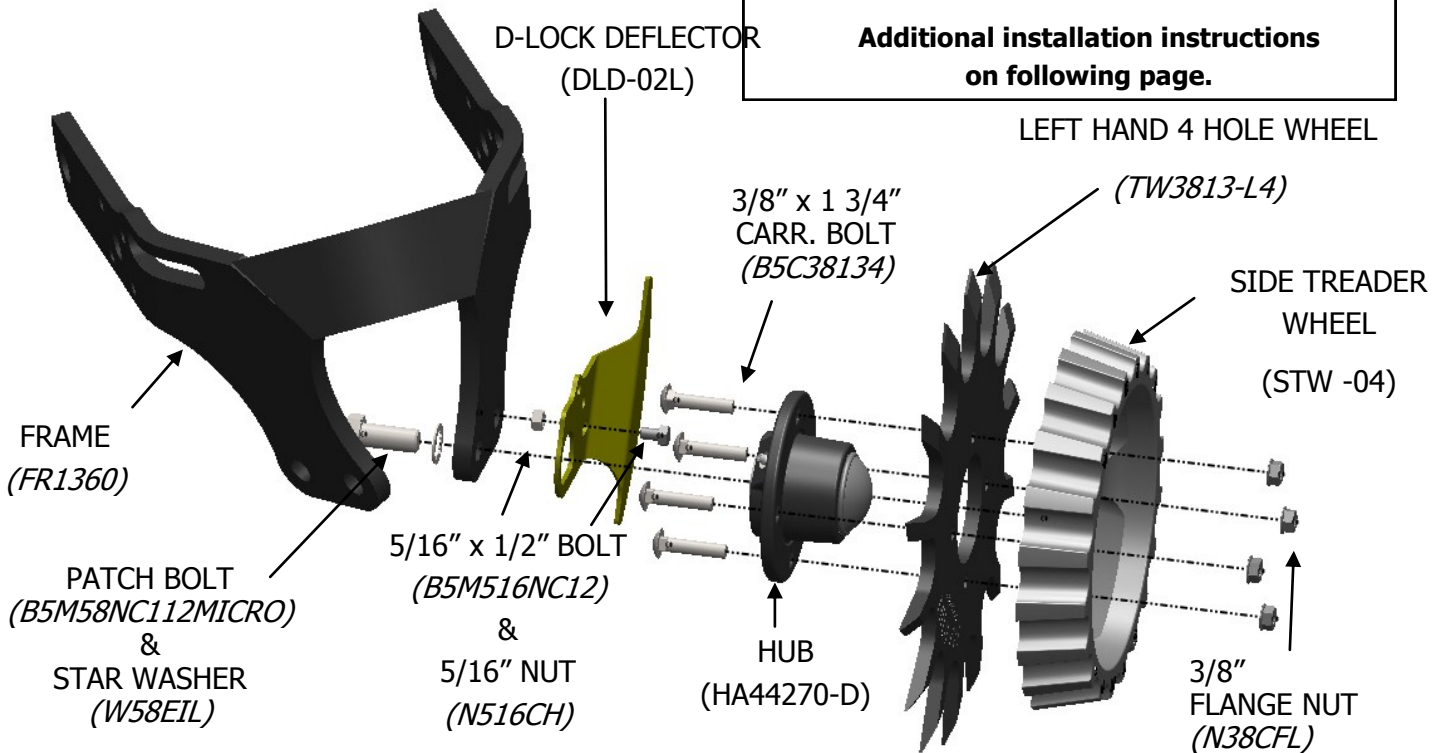
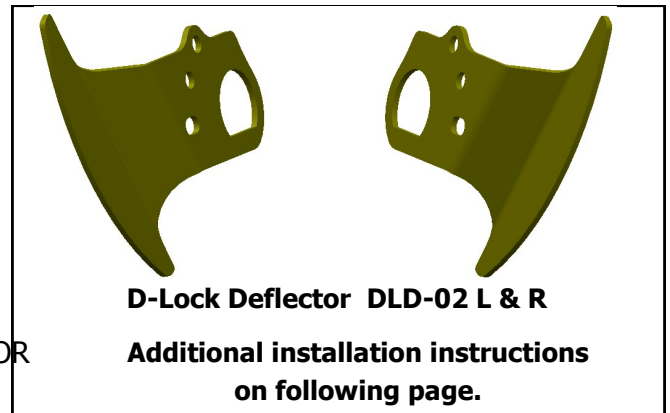
Hardware Required Per Wheel	
1) 3/8" x 1 3/4" Carriage Bolts	Qty 4
2) 3/8" Nuts	Qty 4
3) 5/8" x 1 1/2" Patch Bolt	Qty 1
4) 5/8" Star Washer	Qty 1

3/8"  
FLANGE NUT  
(N38CFL)

**INSTALLING THE WHEEL ASSEMBLY WITH D-LOCK  
DEFLECTOR (DLD-02) TO THE 1360 FRAME**

*The D-Lock deflector is recommended (instead of the D-Lock) when operating in wetter conditions or damp stringy residue to help reduce wrapping.*

- 1) Attach the D-lock deflector (DLD-02L) to the end of the hub axle making sure it is flush with the end of the axle before bolting the axle to the frame.
- 2) Secure the hub to the frame with the 5/8" bolt and star washer and torque to 200 ft. lbs. Re-tighten after first day's use.
- 3) Install the toothed wheel (part number to the outside) and side treader wheel on the hub with the four carriage bolts and flange head nuts. Torque to 60 ft. lbs and re-tighten after first day's use.
- 4) The wheel marked TW3813-L4 is for use on the left side of the frame (as viewed from behind the machine). Repeat for opposite side.

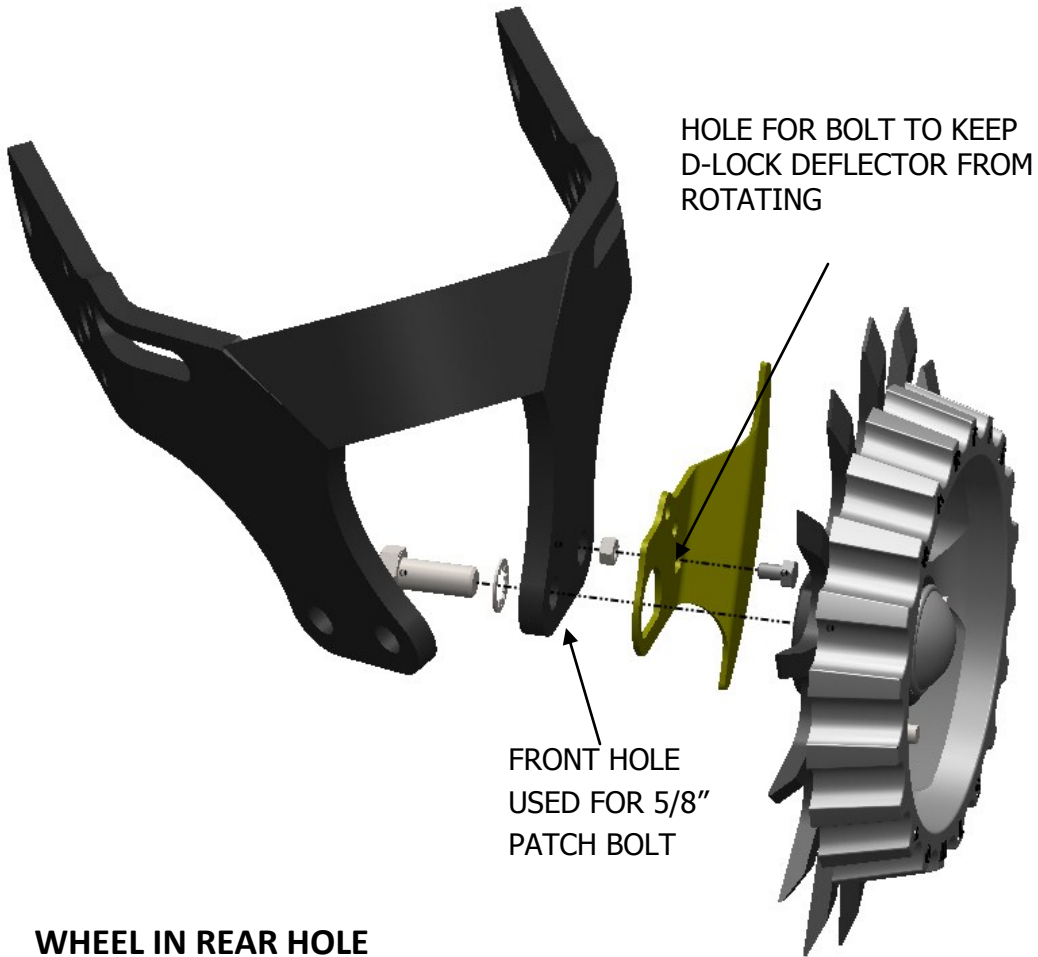


**Hardware Required Per Wheel**

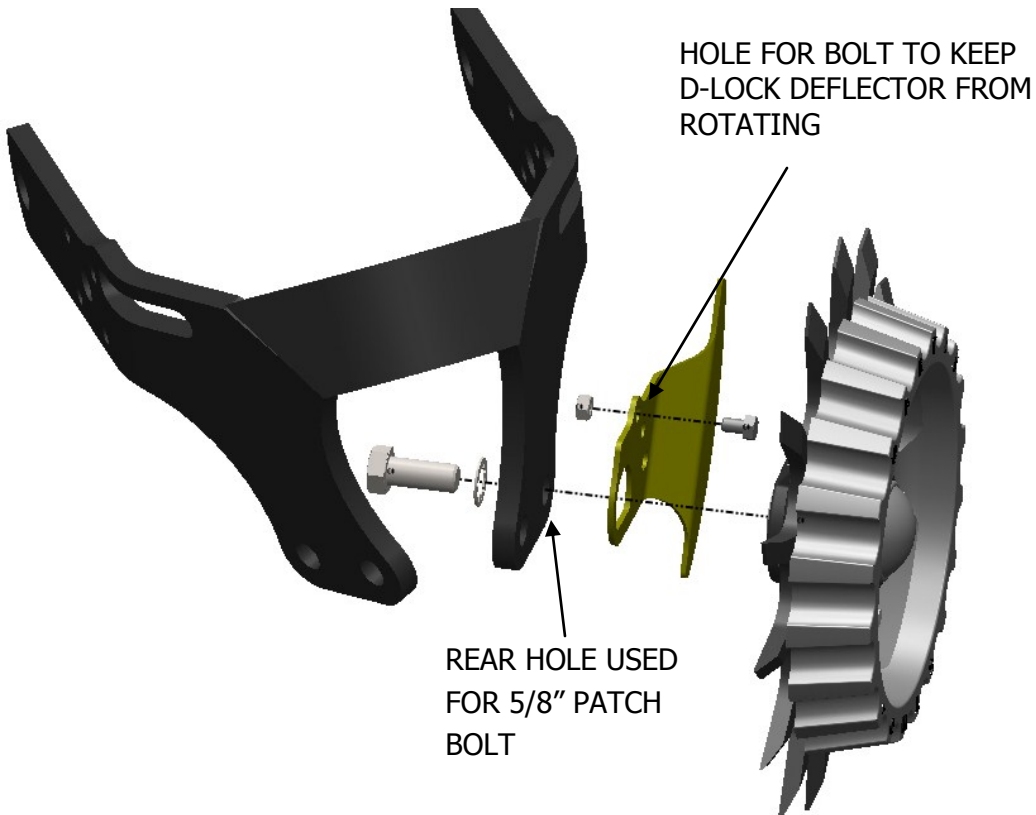
1) 3/8" x 1 3/4" Carriage Bolts	Qty 4	4) 5/8" Star Washer	Qty 1
2) 3/8" Nuts	Qty 4	5) 5/16" x 1/2" Bolt (for DLD-02)	Qty 1
3) 5/8" x 1 1/2" Patch Bolt	Qty 1	6) 5/16" Nut (For DLD-02)	Qty 1

**ATTACHING THE WHEEL WITH D-LOCK DEFLECTOR TO THE  
FR1360 FRAME FOR DIFFERENT SOIL CONDITIONS**

**WHEEL IN FRONT HOLE**



**WHEEL IN REAR HOLE**



**ATTACHING THE WHEEL WITH D-LOCK DEFLECTOR TO THE  
FR1360 FRAME FOR DIFFERENT SOIL CONDITIONS**

**BOTH WHEELS IN FRONT HOLE**



**Both wheels forward provides maximum cleaning effect and the interlocked wheels till the middle of the seed row.**

**Note: The 5/16" D-Lock deflector bolt fits within the 5/8" patch bolt hole, to prevent rotation of the deflector.**

**LEFT WHEEL IN FRONT HOLE**

**RIGHT WHEEL IN REAR HOLE**



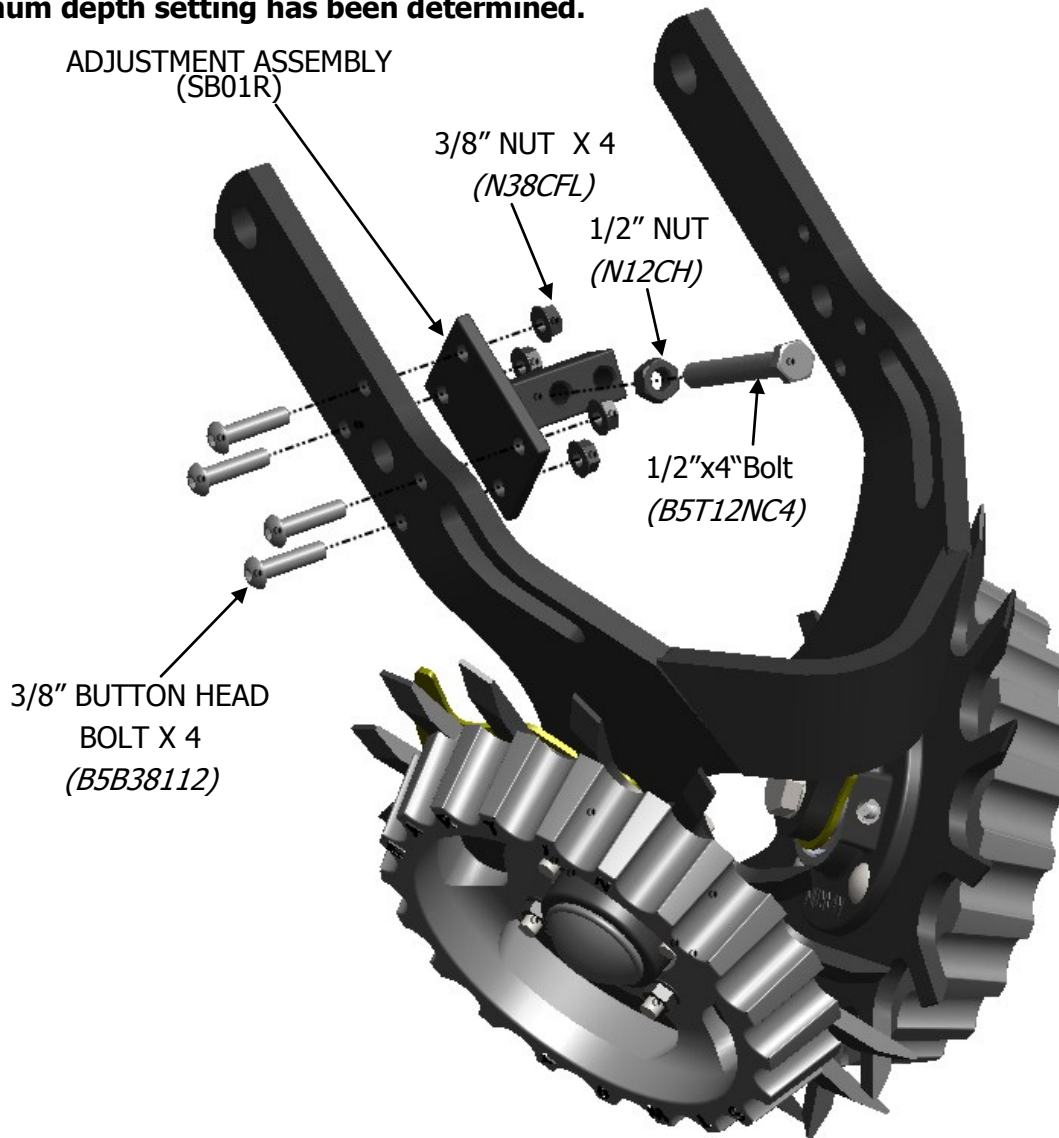
**The staggered configuration allows the toothed wheels to turn more easily in loose soil.**

**With this staggered configuration, we suggest running the left wheels in the rear hole on the left half of the planter and the right wheels in the rear hole on the right half of the planter (when viewed from behind).**

**Note: D-Lock deflector bolt fits up against the frame, when in the rear hole, not within the 5/8" patch bolt hole.**

## INSTALLING THREADED ADJUSTMENT ASSEMBLY

1. Place the adjustment assembly against the frame as shown in diagram below.
2. Secure the adjustment assembly to the frame using the four button head screws and nuts provided. Torque to 60 ft. lbs.
3. Put the 1/2" nut on the 1/2" x 4" bolt and thread the bolt into the tapped hole of the adjustment assembly. Use the 1/2" nut to lock the 4" adjustment bolt in place once the desired minimum depth setting has been determined.



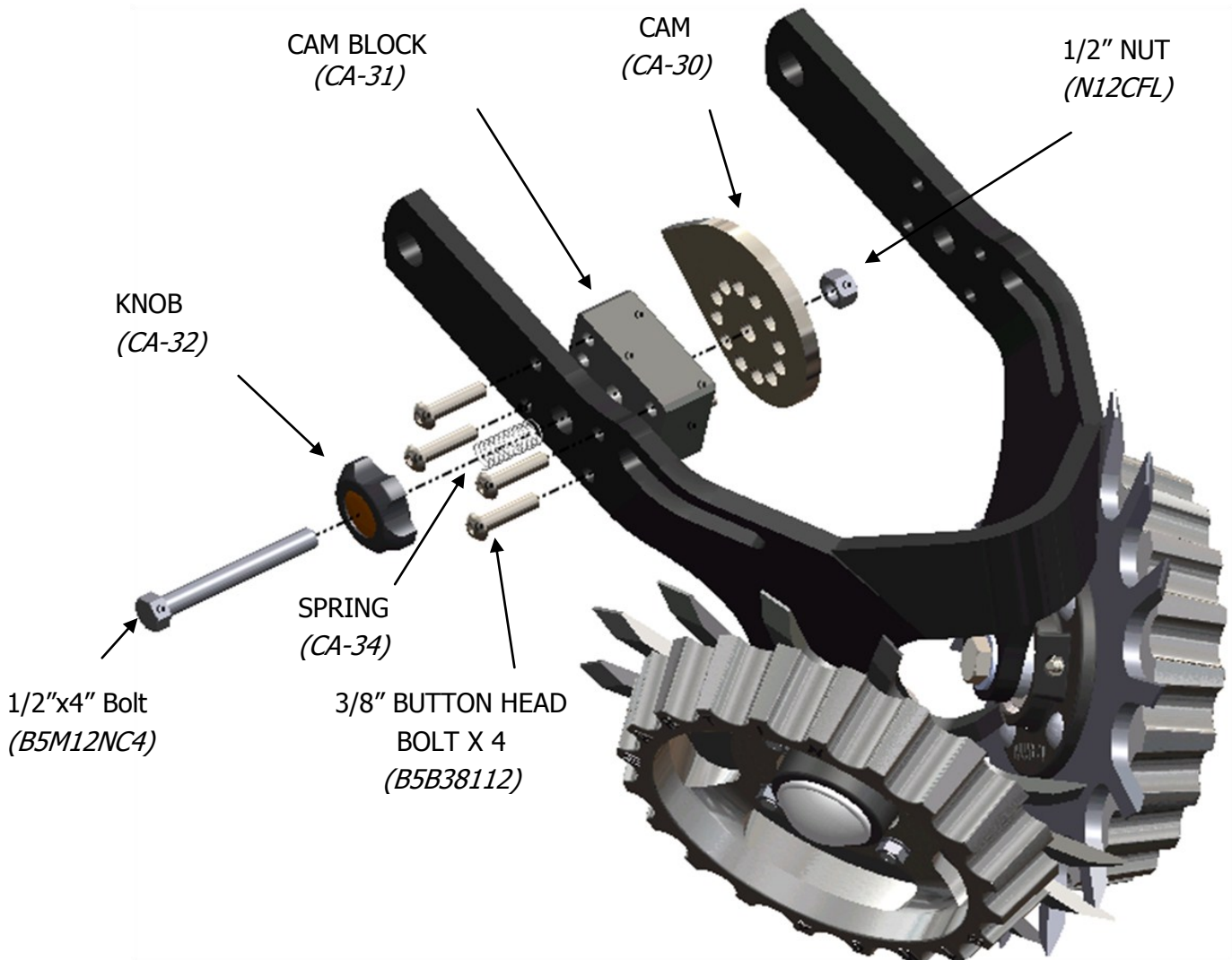
### Hardware Required

1) 3/8" x 1 1/2" Bolts	Qty 4
2) 3/8" Nuts	Qty 4
3) 1/2" x 4" Bolt	Qty 1
4) 1/2" Nut	Qty 1



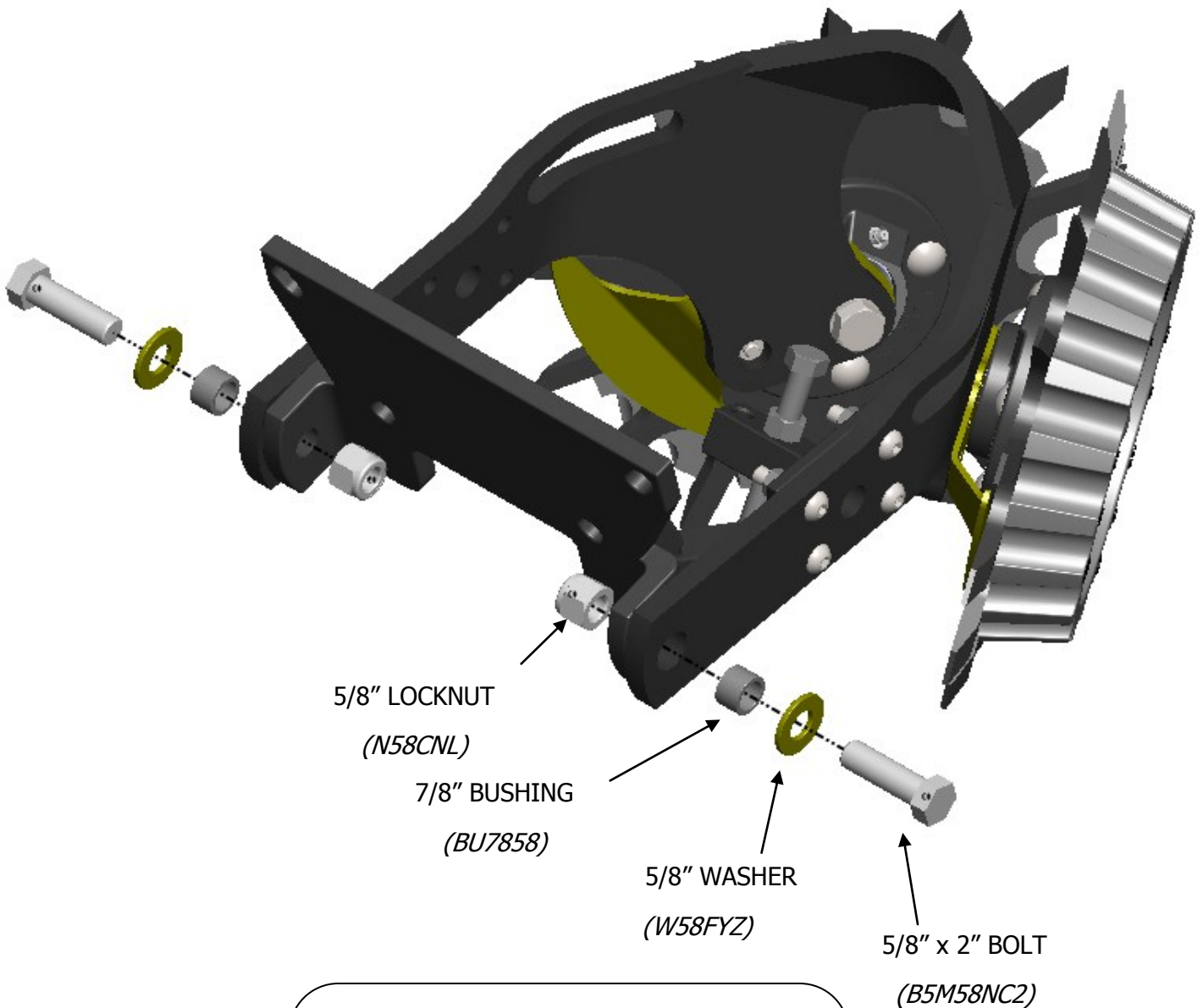
## INSTALLING THE OPTIONAL CAM ADJUST ASSEMBLY

- 1) Mount the cam block to the frame using the four 3/8" button head bolts, with notch to bottom and rear, torque to 60 ft. lbs.
- 2) Slide the 1/2" x 4" bolt through the knob, spring and support block and thread it into the cam.
- 3) Tighten the bolt until the cam is directly adjacent the support block but still loose enough to be disengaged from the pin by pushing on the knob.
- 4) Install the 1/2" nut on the end of the bolt and tighten securely against the cam.



## ATTACHING THE 1360 FRAME ASSEMBLY TO THE 1360 MOUNT ASSEMBLY

- 1) Put the flat washer and the bushing on the 5/8" x 2" bolt.
- 2) Align the frame with the holes in the mounting bracket. Insert the 5/8" x 2" bolts and secure with the nuts provided as shown in the diagram below. Torque to 150 ft. lbs.
- 3) Check to be sure the frame is not binding on the mounting bracket and is free to float up and down.



### Hardware Required

1) 5/8" x 2" Bolt	Qty 2
2) 5/8" Washer	Qty 2
3) 7/8" Bushing	Qty 2
4) 5/8" Nuts	Qty 2



**Parts list for HA44270-D**

