

CA-03K

Cam Adjust for Kinze with Coulter

Installation Instructions



Martin Planter Attachments

Martin Industries LLC

206 Elk Fork Road

Elkton, KY 42220

Telephone: 270-265-5817

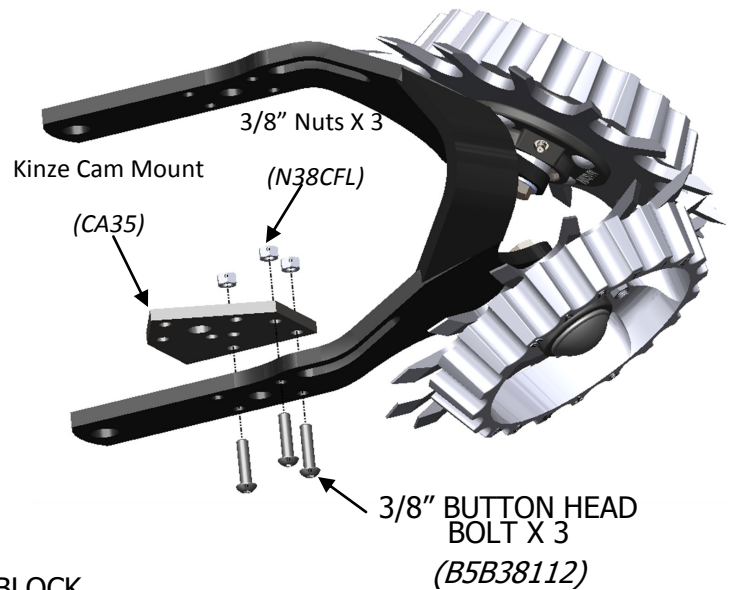
E-Mail: martin@martintill.com

www.martintill.com

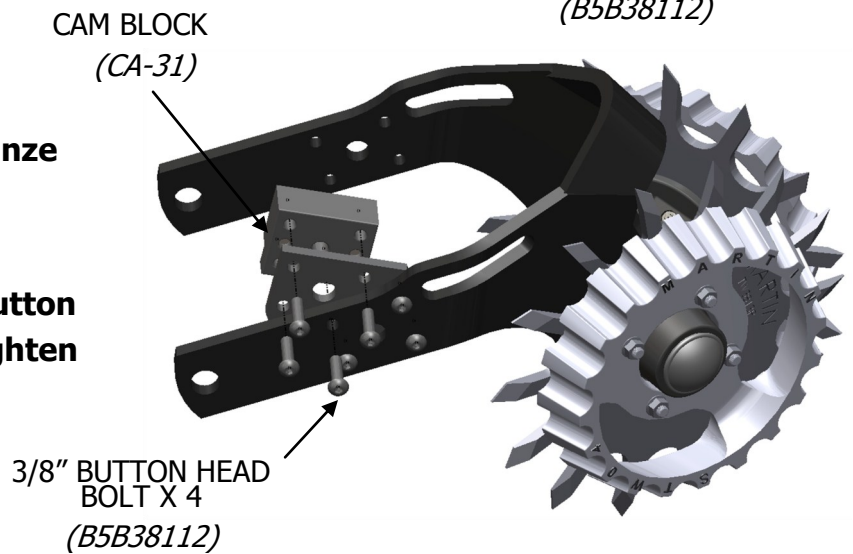


Installation Instructions for CA-03K with Kinze Coulters.

- 1) Place the Kinze Cam Mount against the inside of the 1360 Frame and align the three holes as shown below.**
- 2) Insert three of the 3/8" x 1 1/2" button head bolts, add 3/8" nuts and tighten.**



- 3) Place the Cam Block against the Kinze Cam Mount. Align the four mounting holes as shown below.**
- 4) Thread four of the 3/8" X 1 1/2 button head bolts in to the cam block and tighten**



- 5) Insert the 1/2" x 4" bolt thru the hole in the handle.**
- 6) Slide spring on to the 1/2" x 4" bolt.**
- 7) Insert assembled handle through the center hole of the cam block.**
- 8) Thread Cam on the 1/2" x 4" bolt.**
- 9) Add the 1/2" nut and tighten.**

